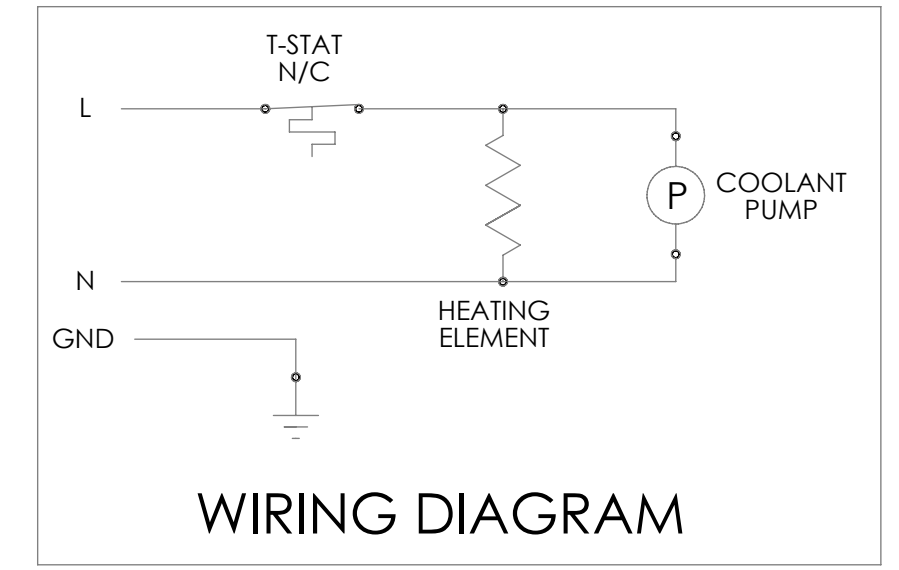
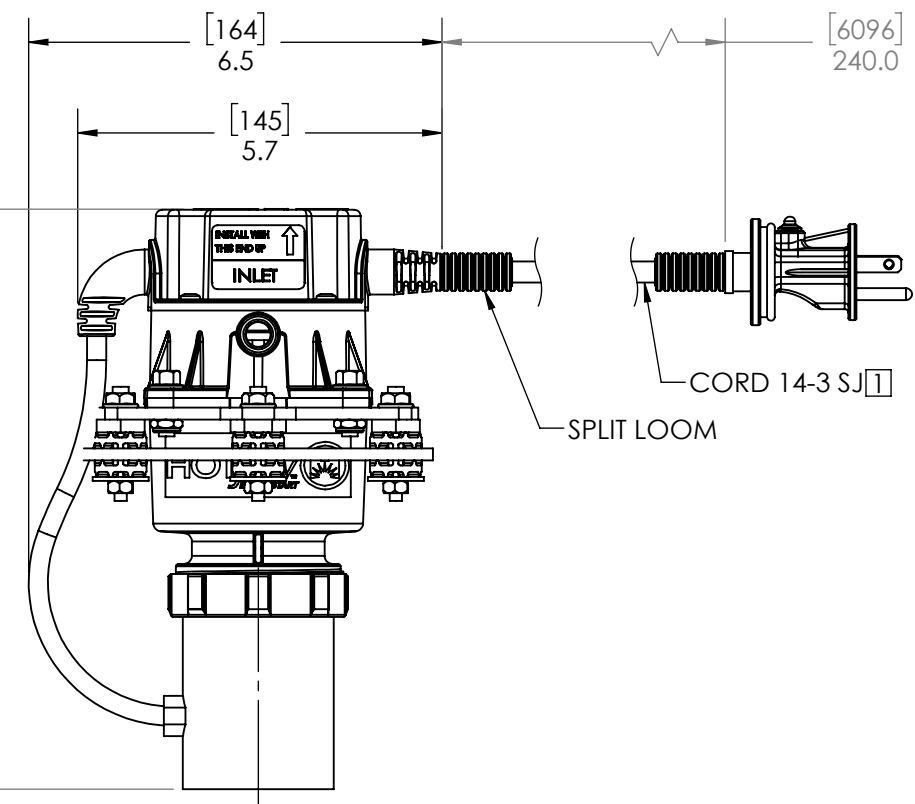
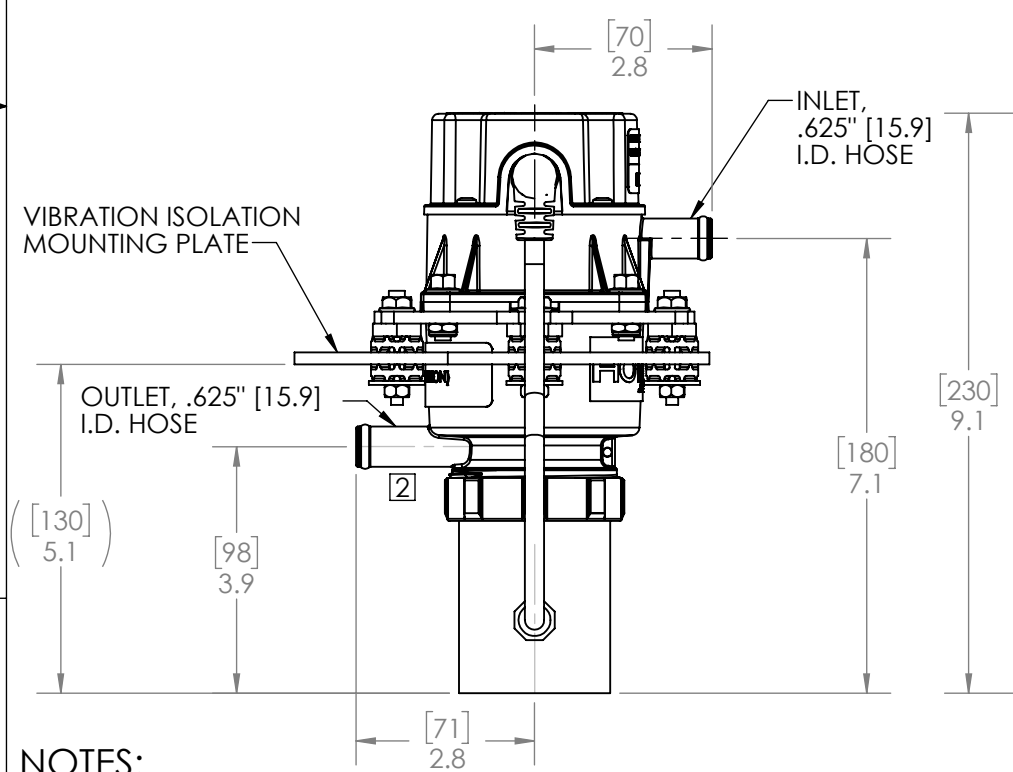
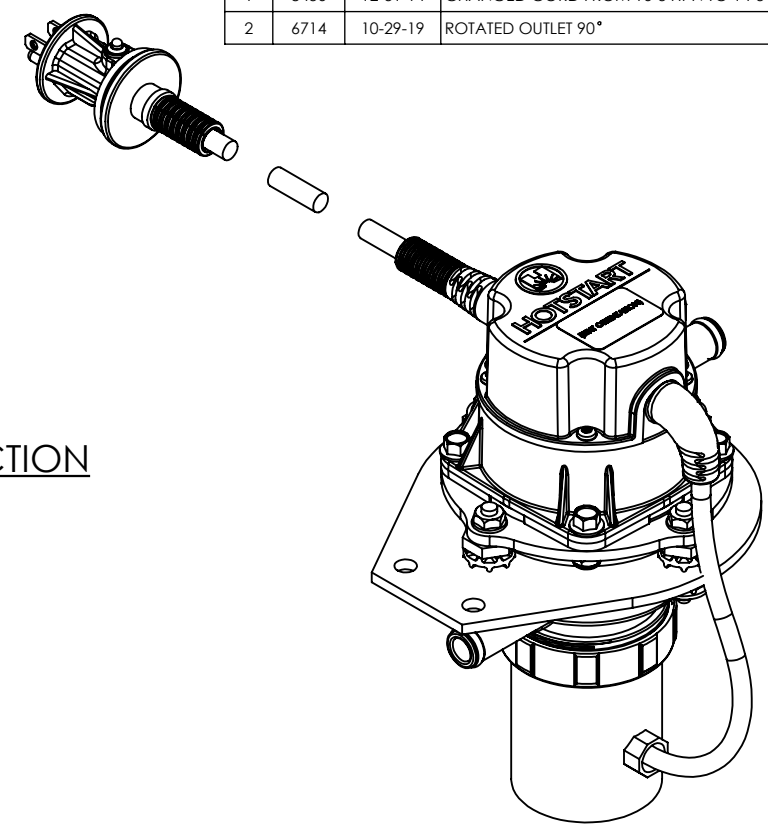
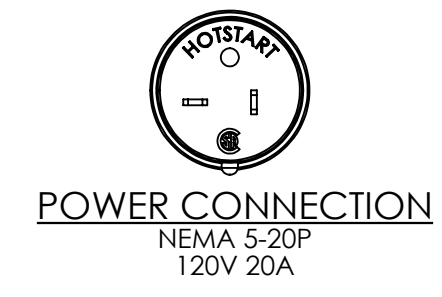
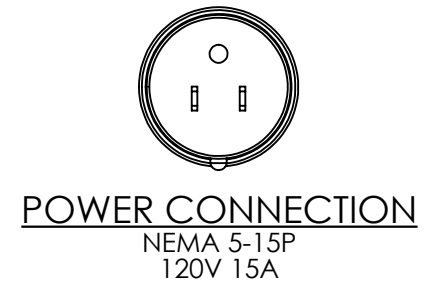
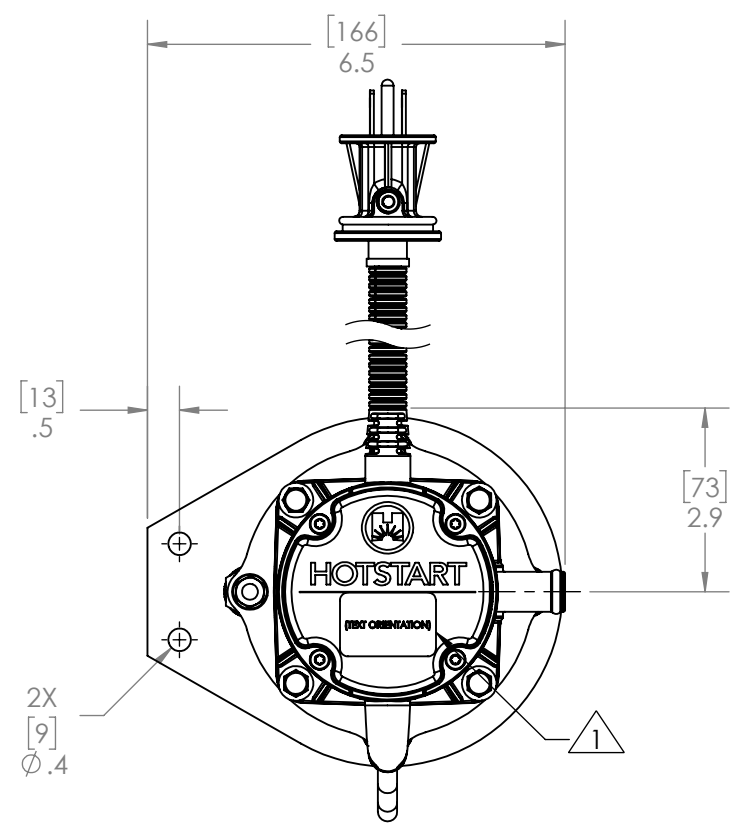



REVISIONS						
REV.	ECO	DATE	DESCRIPTION	AUTH.	DR.	ZONE
1	8436	12-31-14	CHANGED CORD FROM 16-3 HPN TO 14-3 SJ	CDH	BLF	B3
2	6714	10-29-19	ROTATED OUTLET 90°	CDH	KP	B7



- NOTES:**
1. LABELED WITH PART NUMBER, WATTS, VOLTS AND DATE CODE.
 2. DIMENSIONS ARE FOR REFERENCE ONLY.
 3. FIXED T-STAT WITH 20°F [11°C] DIFFERENTIAL AND 300°F [149°C] NON-RESETABLE HI-LIMIT.

PART NUMBER	DESCRIPTION	CUSTOMER	PLUG TYPE
CTM20110-MSO	CTM 2000W 120V FIXED 100-120F NEMA ISOLATION SSSL	WASTE MANAGEMENT	5-20P
CTM15110-MSO	CTM 1500W 120V FIXED 100-120F NEMA ISOLATION SSSL	WASTE MANAGEMENT	5-15P



HOTSTART, INC. SPOKANE, WA.
PROPRIETARY INFORMATION

This drawing and the information shown on it are property of Hotstart, Inc. and are for the sole purpose of doing business with us. Any copying or transmittal to others of this information is strictly prohibited without prior written consent from Hotstart.

APPROVALS		DATE	UNLESS OTHERWISE SPECIFIED DIMENSIONS ARE IN INCHES [mm]	DWG. NO.
DRAWN BY		12-01-14	TOLERANCES	A-8000-OS
APPROVED BY		12-02-14	.XX ± N/A ANGULAR ± N/A°	ORIGIN
THIRD ANGLE PROJECTION			DO NOT SCALE DRAWING	CO8436
SIZE			SCALE	SHEET
B			1:3	1 OF 1
				REV. 2