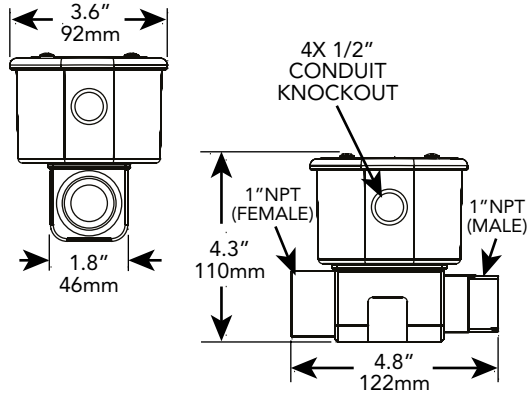
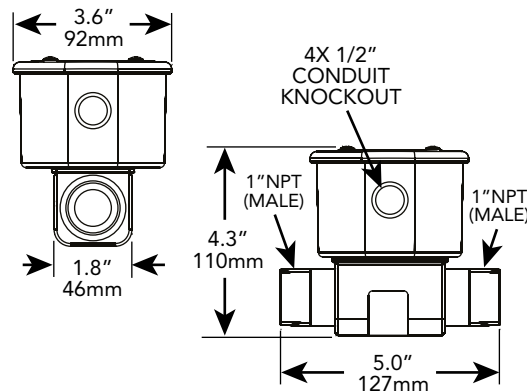


When using a thermostat above rated capacity or on 3 phase applications, select the proper control box with transformer and contactor as shown on page 30.



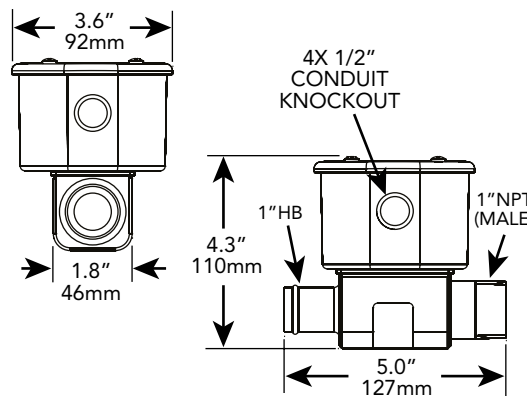
1" NPT female x 1" NPT male CONDUIT TYPE ENCLOSURE

Part Number	Temperature Setting		Maximum Capacity Ratings		
	On	Off	120/240V	277V	480V
TFTC8-200	80°F (27°C)	100°F (38°C)	25 amp	22 amp	12.5 amp
TFTC10-200	100°F (38°C)	120°F (49°C)	25 amp	22 amp	12.5 amp
TFTC12-200	120°F (49°C)	140°F (60°C)	25 amp	22 amp	12.5 amp
TFTCA-200	Adjustable 90°-130°F (32°-54°C)		25 amp	22 amp	12.5 amp



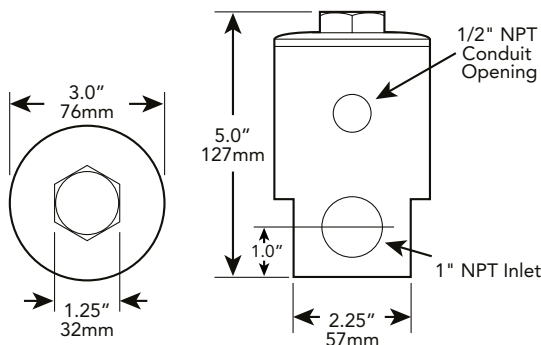
1" NPT male x 1" NPT male CONDUIT TYPE ENCLOSURE

Part Number	Temperature Setting		Maximum Capacity Ratings		
	On	Off	120/240V	277V	480V
TFTC8-220	80°F (27°C)	100°F (38°C)	25 amp	22 amp	12.5 amp
TFTC10-220	100°F (38°C)	120°F (49°C)	25 amp	22 amp	12.5 amp
TFTC12-220	120°F (49°C)	140°F (60°C)	25 amp	22 amp	12.5 amp
TFTCA-220	Adjustable 90°-130°F (32°-54°C)		25 amp	22 amp	12.5 amp



1" hose barb x 1" NPT male CONDUIT TYPE ENCLOSURE

Part Number	Temperature Setting		Maximum Capacity Ratings		
	On	Off	120/240V	277V	480V
TFTC8-240	80°F (27°C)	100°F (38°C)	25 amp	22 amp	12.5 amp
TFTC10-240	100°F (38°C)	120°F (49°C)	25 amp	22 amp	12.5 amp
TFTC12-240	120°F (49°C)	140°F (60°C)	25 amp	22 amp	12.5 amp
TFTCA-240	Adjustable 90°-130°F (32°-54°C)		25 amp	22 amp	12.5 amp



HAZARDOUS LOCATION CONDUIT TYPE ENCLOSURE

Part Number	Temperature Setting		Maximum Capacity Ratings		
	On	Off	120/240V	277V	480V
TFT10ER	100°F (38°C)	120°F (49°C)	25 amp	22 amp	12.5 amp

When using a thermostat above rated capacity or on 3 phase applications, select the proper control box with transformer and contactor as shown on page 30.

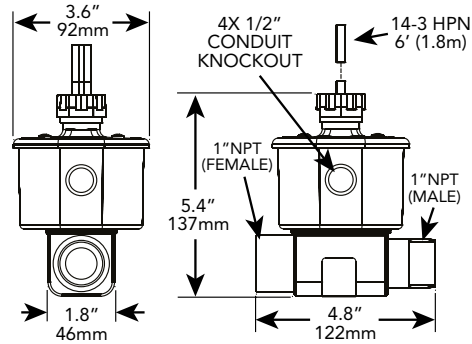
1" NPT female x 1" NPT male

20 amp



CORD CONNECTED

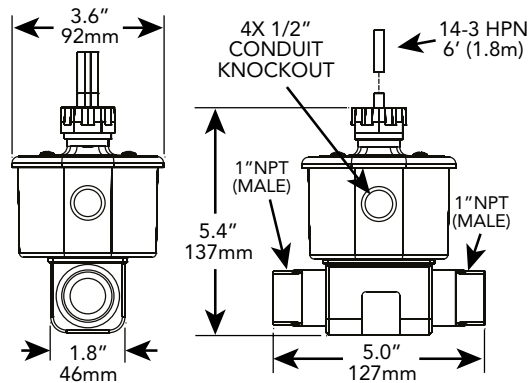
Part Number	Temperature Setting		Maximum Capacity Ratings	
	On	Off	120/240V	277V
TFT8-200	80°F (27°C)	100°F (38°C)	20 amp	20 amp
TFT10-200	100°F (38°C)	120°F (49°C)	20 amp	20 amp
TFT12-200	120°F (49°C)	140°F (60°C)	20 amp	20 amp
TFTA-200	Adjustable 90°–130°F (32°–54°C)		20 amp	20 amp



1" NPT male x 1" NPT male

CORD CONNECTED

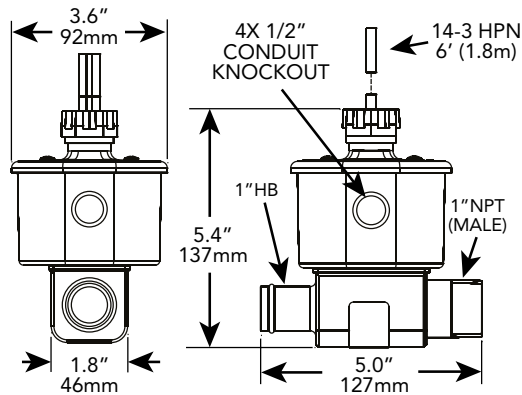
Part Number	Temperature Setting		Maximum Capacity Ratings	
	On	Off	120/240V	277V
TFT8-220	80°F (27°C)	100°F (38°C)	20 amp	20 amp
TFT10-220	100°F (38°C)	120°F (49°C)	20 amp	20 amp
TFT12-220	120°F (49°C)	140°F (60°C)	20 amp	20 amp
TFTA-220	Adjustable 90°–130°F (32°–54°C)		20 amp	20 amp



1" hose barb x 1" NPT male

CORD CONNECTED

Part Number	Temperature Setting		Maximum Capacity Ratings	
	On	Off	120/240V	277V
TFT8-240	80°F (27°C)	100°F (38°C)	20 amp	20 amp
TFT10-240	100°F (38°C)	120°F (49°C)	20 amp	20 amp
TFT12-240	120°F (49°C)	140°F (60°C)	20 amp	20 amp
TFTA-240	Adjustable 90°–130°F (32°–54°C)		20 amp	20 amp



REMOTE ADJUSTABLE With 5' (1.5m) Capillary Probe

Part Number	Adjustable Range Temperature Setting	Maximum Capacity Ratings		
		120/208/240V	277V	480V
AT6525	65 - 250°F (18 - 121°C) (Open or Off Setting) Differential 4°F (2.2°C) (Close or On Setting)	25 amp	22 amp	5 amp

ATW
Aluminum
Well for
AT6525

