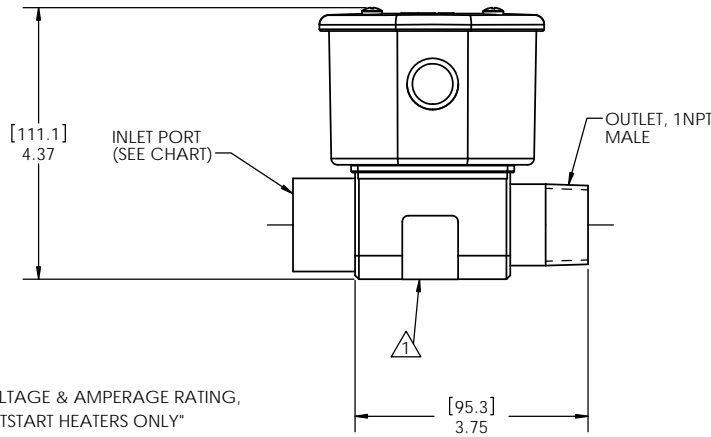


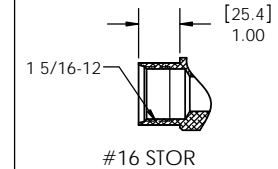
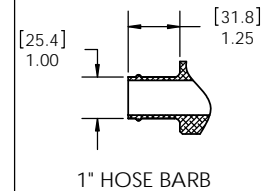
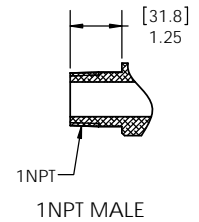
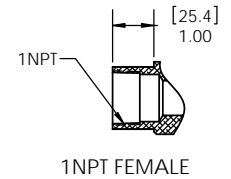
ISO VIEW
(NOT TO SCALE)



- NOTES:
 1. LABELLED WITH P/N, T-STAT RANGE, VOLTAGE & AMPERAGE RATING, CSA & CE LOGO & "FOR USE WITH HOTSTART HEATERS ONLY"
 2. DIMENSIONS ARE FOR REFERENCE ONLY.


REVISIONS					
REV.	ECO	DATE	DESCRIPTION	AUTH.	DR.
1	6532	04-26-10	ADDED TF1C14-200,TF1C14-220	MM	BJH
2	6532	10-17-11	TF1C WAS PREVIOUSLY DESCRIBED AS TFC FOR TF1CA-200, TF1CA-220, TF1CA-240, TF1CA-260 & ADDED REV. 11 SUBJECTS TO DRAWING	RH	ER

OPTIONAL PORT CONFIGURATION



TF1C8-200	TF1C 80-100F 1NPT FEMALE	80°F (26.6°C)	100°F (37.7°C)	1NPT FEMALE
TF1C8-220	TF1C 80-100F 1NPT MALE	80°F (26.6°C)	100°F (37.7°C)	1NPT MALE
TF1C8-240	TF1C 80-100F 1IN HB	80°F (26.6°C)	100°F (37.7°C)	1" HOSE BARB
TF1C8-260	TF1C 80-100F #16 STOR	80°F (26.6°C)	100°F (37.7°C)	#16 STOR
TF1C10-200	TF1C 100-120F 1NPT FEMALE	100°F (37.7°C)	120°F (48.8°C)	1NPT FEMALE
TF1C10-220	TF1C 100-120F 1NPT MALE	100°F (37.7°C)	120°F (48.8°C)	1NPT MALE
TF1C10-240	TF1C 100-120F 1IN HB	100°F (37.7°C)	120°F (48.8°C)	1" HOSE BARB
TF1C10-260	TF1C 100-120F #16 STOR	100°F (37.7°C)	120°F (48.8°C)	#16 STOR
TF1C12-200	TF1C 120-140F 1NPT FEMALE	120°F (48.8°C)	140°F (60.0°C)	1NPT FEMALE
TF1C12-220	TF1C 120-140F 1NPT MALE	120°F (48.8°C)	140°F (60.0°C)	1NPT MALE
TF1C12-240	TF1C 120-140F 1IN HB	120°F (48.8°C)	140°F (60.0°C)	1" HOSE BARB
TF1C12-260	TF1C 120-140F #16 STOR	120°F (48.8°C)	140°F (60.0°C)	#16 STOR
TF1C14-200	TF1C 140-160F 1NPT FEMALE	140°F (48.8°C)	160°F (48.8°C)	1NPT FEMALE
TF1C14-220	TF1C 140-160F 1NPT MALE	140°F (48.8°C)	160°F (48.8°C)	1NPT MALE
TF1CA-200	TF1C ADJ 90-130F 1NPT FEMALE	SET POINT -20°F (11.1°C)	ADJ 90-130°F (32.2°C-54.4°C)	1NPT FEMALE
TF1CA-220	TF1C ADJ 90-130F 1NPT MALE	SET POINT -20°F (11.1°C)	ADJ 90-130°F (32.2°C-54.4°C)	1NPT MALE
TF1CA-240	TF1C ADJ 90-130F 1IN HB	SET POINT -20°F (11.1°C)	ADJ 90-130°F (32.2°C-54.4°C)	1" HOSE BARB
TF1CA-260	TF1C ADJ 90-130F #16 STOR	SET POINT -20°F (11.1°C)	ADJ 90-130°F (32.2°C-54.4°C)	#16 STOR

P/N	DESCRIPTION	T-STAT RANGE		INLET PORT
		ON	OFF	



HOTSTART MFG. SPOKANE, WA.
 PROPRIETARY INFORMATION

This drawing and the information shown on it are property of Kim Hotstart Mfg. Co. Inc. and are for the sole purpose of doing business with us. Any copying or transmission to others of this information is strictly prohibited without prior written consent of Kim Hotstart.

REPL TFT CONDUIT CONNECTED

APPROVALS DRAWN BY ER	DATE 01-15-10	UNLESS OTHERWISE SPECIFIED DIMENSIONS ARE IN INCHES (mm)	DWG. NO. A-7236-13S
APPROVED BY MM	DATE 01-29-10	TOLERANCES ANGULAR xx ± N/A xxx ± N/A DO NOT SCALE DRAWING	SIZE ORIGIN CO6532
THIRD ANGLE PROJECTION		SCALE 1:2	SHEET 1 OF 1 REV 02